

HOFMANN®



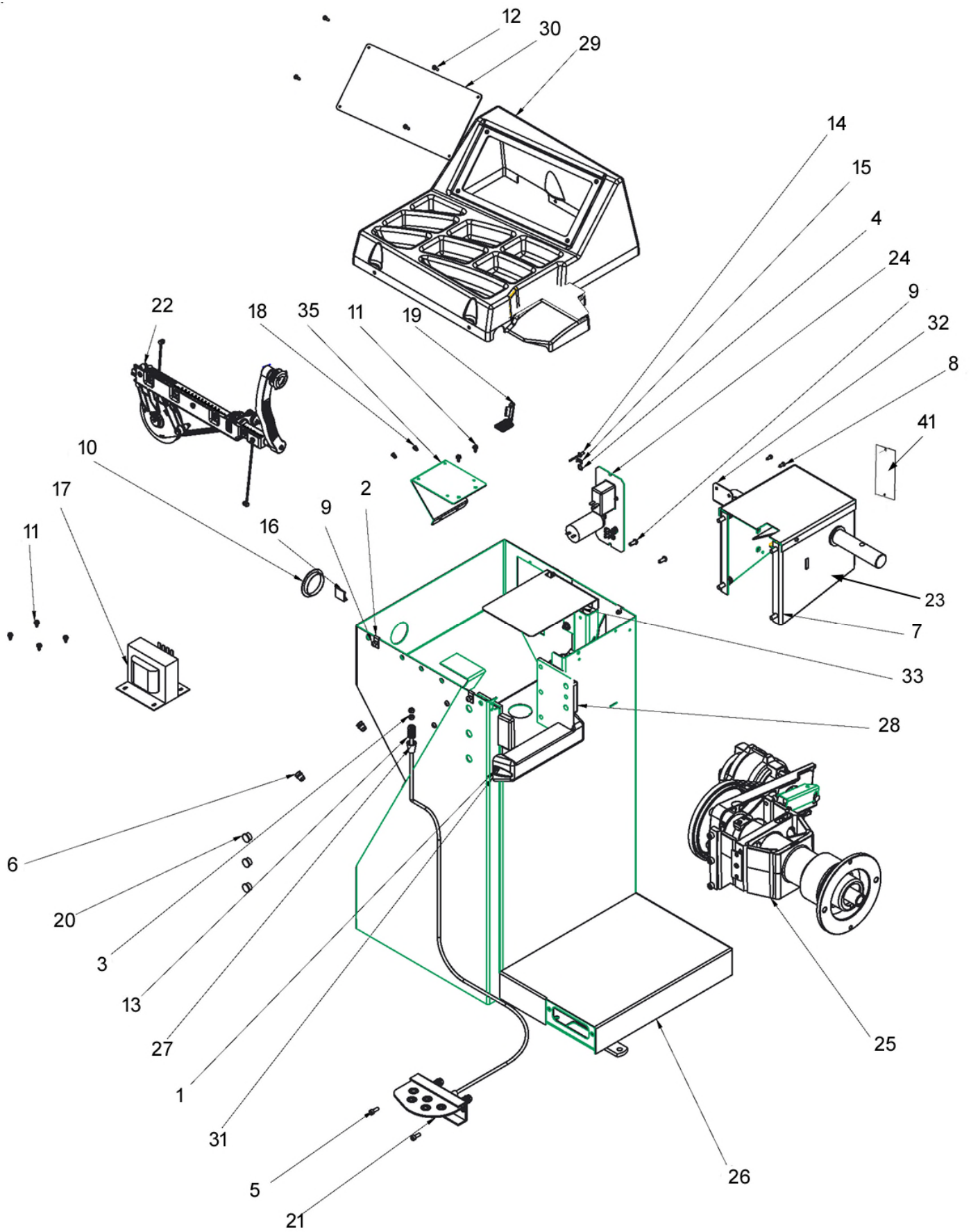
geodyna 7100

Spare Parts List

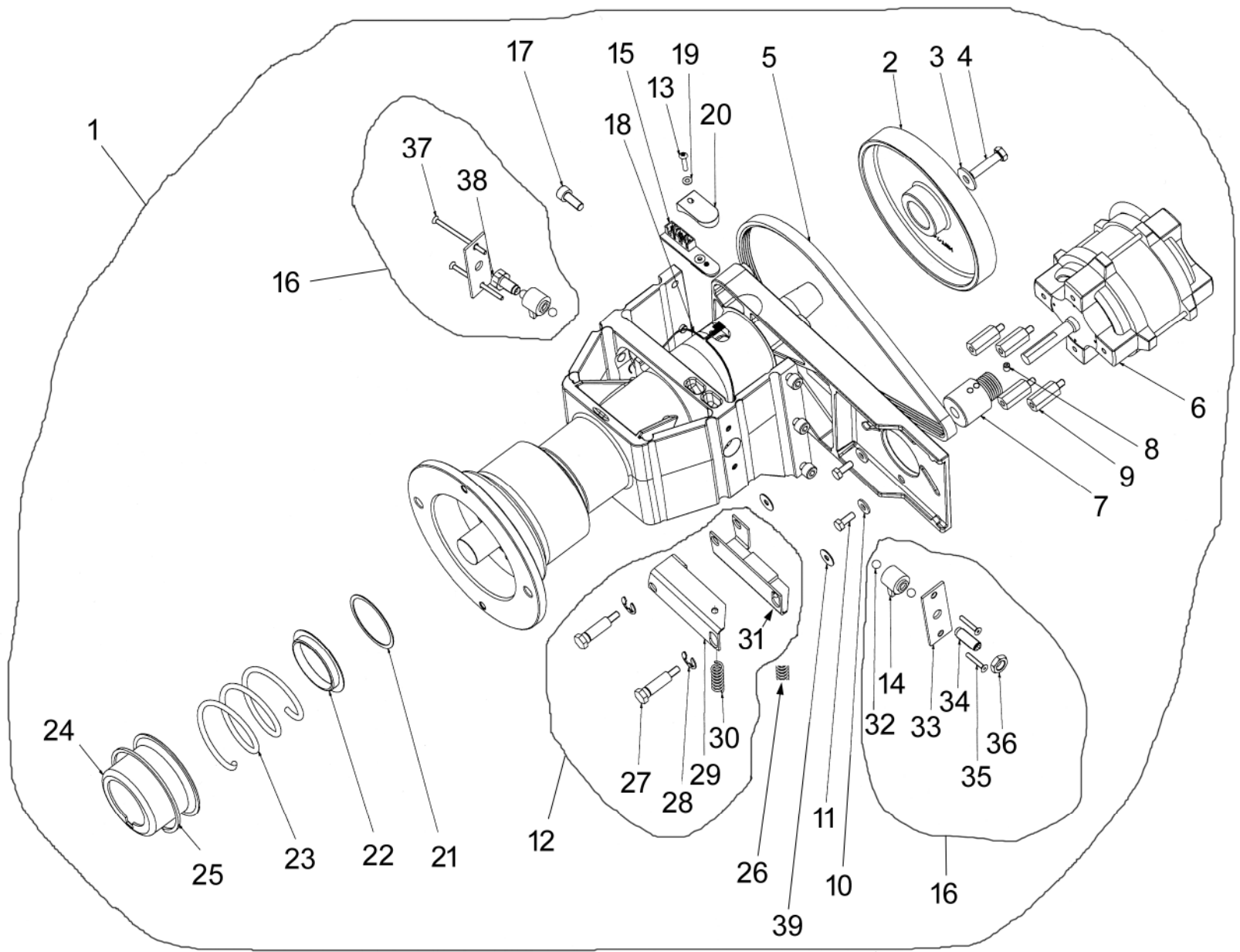


BOM EEWB761A Geodyna 7100

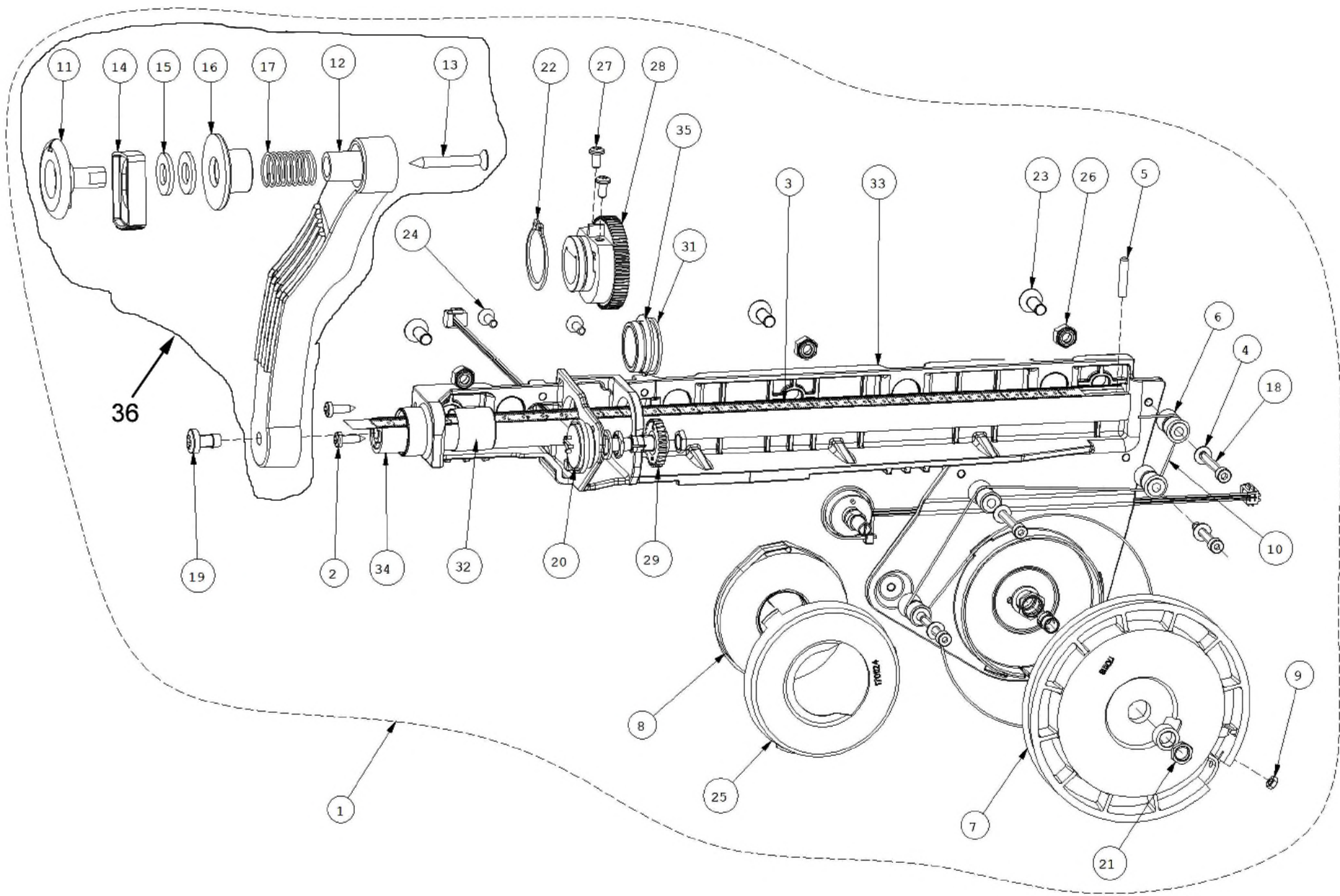
Part Number	Description
EAA0423J11A	Hood Assy
EAW0290J26A	Power Cable-5 Meters
EAC0060G02A	Flange Wshr Cone Storage
EAM0006G01A	Pin Cone Storage
00058839000	Tool-Pdq Weight Pass Car
EAA0263G79A	Quick Nut Kit
EAA0247G21A	Wheel Calipers
EAM0005D40A	Calibration Weight
EAK0309J28A	Kit - 4 Cone
EAC0058D68A	Spacer, 29660
EAL0442G22A	Decal-Geo 7100
EAL0341J63A	Label-Patent
EAL0420J58A	Label Max Wheel Dia And Weight
EAL0341J96A	Label-Balancer Warning Rear
EAL0341J97A	Label-Balancer Warning Side
EAL0343J76B	Serial Label Document
ZEEWB761A9	Lit Pack-Geo 7100



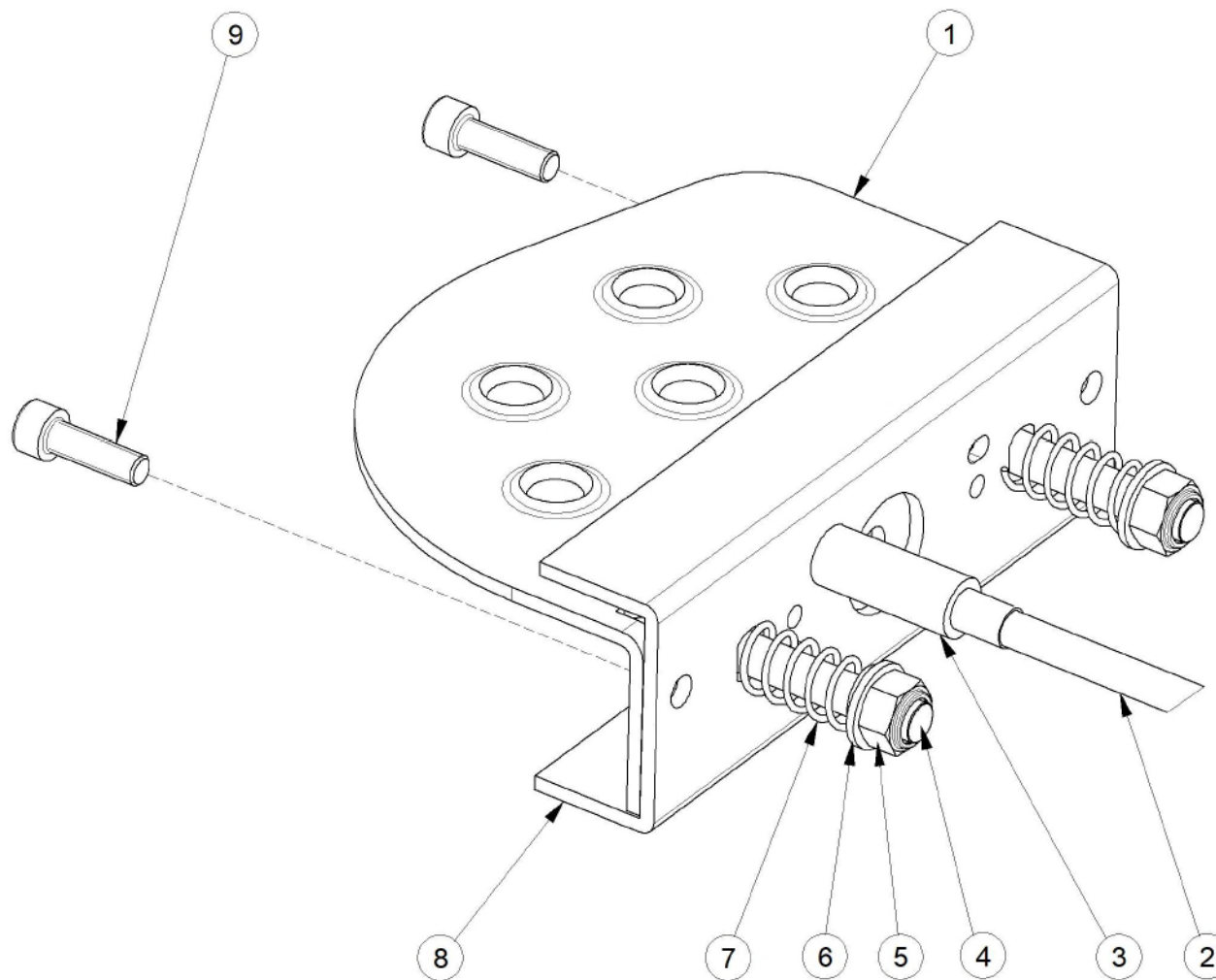
Ref	Qty	Part Number	Description
1	3	1-07424A	Screw - Pan Hd, 8-18 X 1/2
2	6	1-07439A	Nut - Speed, "U" Type
3	2	1-11633	Nut-M6 X 5,2Mmthk, Blk
4	1	1-1548	Washer-Ext,Shakeproof 6mm
5	2	1-16309	Screw - Shcs, M6 X 16mm
6	4	1-17659A	Nutsert - M10
7	4	1-18359A	Nutsert, M8
8	2	1-18523A1	Self Tapping Screw D4,8X13mm
9	6	1-2509	Screw-Bhcs, 1/4 - 20 X 5/8
10	1	1-2676	Plug-Hole, 2" Dia
11	6	1-3724	Screw-Self Tap,5 X 10mm
12	4	1-13404A	Screw - Phm, M4 X 16mm
13	1	1-6668	Compression Spring
14	1	1-7558	Pop Rivet-3/16"
15	2	2-23201	Terminal Lug-6.3mm X .8mm Pop Rivet
16	2	2-3657	Cable Clamp- Flat Cable
17	1	7-16201A	Transformer- 500VA Automatic
18	2	8-02340A	Clip Keyhole Nylon
19	1	8-09619A	Strain Relief - Flat Cable
20	3	8-7216	Plug-Hole, 16mm Dia
21	1	EAA0263G07A	Assy-Brake Pedal
22	1	EAA0471G16A	Stand. Sape 1D-2D Assy
23	1	EAA0423J10A	Backpack Assy
24	1	EAA0423J09A	Power Inlet Assembly
25	1	EAA0364G85A	Vibratory
26	1	EAA0369J31A	Cabinet Assy - S2, Blue
27	1	EAC0053J15A	Brake Spacer
28	2	EAC0060G08A	Protection For Piezo-Spring
29	1	EAA0356G21A	Low End Weight Tray
30	1	EAA0409G06A	Hofmann Interface
31	1	EAM0062G50A	Vibratory System Cover
32	1	EAS2113J77A	Bracket - Cal Weight
33	1	EAS2113J78A	Shield - Fire
NS	8	EAS2116G12A	Spacer - Vib 0.2mm
35	1	EAS2118J60A	Plate-Transformer, S2 Cabinet
NS	1	EAW0243J02A	Main Switch Inverter Cable
NS	1	EAW0283G60A	Wiring Harness Balancer
NS	2	EAW0239D07A	Ground Wire
41	1	EAS2021J05A	Panel cover



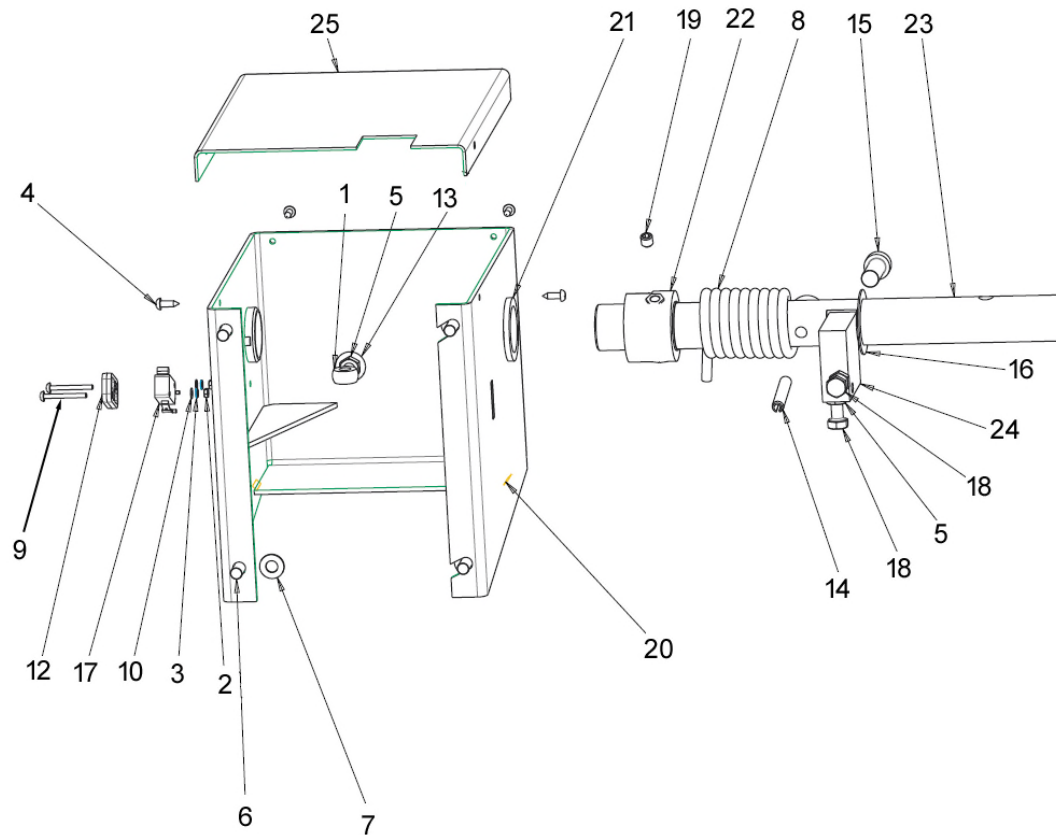
Ref	Qty	Part No	Description	Ref	Qty	Part No	Description
1	1	EAA0364G85A	Vibratory	21	1	1-17641	Washer
2	1	EAM0005D12A	Drive wheel	22	1	EAC0058D14A	Spring Centering Ring
3	1	1-17841	Washer	23	1	1-07768A	Compression Spring
4	1	1-32901	Screw, Hex Cap	24	1	EAS2025D14A	Spring Case Spring Case
5	1	8-3531	Belt 5 PJ 711	25	1	1-13077	Circlip
6	1	2-59366A	Motor	26	2	EAM0005D18A	Spacer
7	1	EAM0005D08A	Motor Pulley	27	2	EAM0005D10A	Bolt
8	1	1-28410	Screw	28	2	1-13177	Circlip
9	4	EAM0005D09A	Motor Distance Bolt	29	1	EAA0260D56A	Brake Lever A
10	2	1-16641	Washer	30	1	1-6568	Compression Spring
11	2	1-46701A	Screw Hex Head	31	1	EAA0260D57A	Brake Lever B
12	1	EAA0332G12A	Main Shaft Lock Assembly	32	4	8-1144	Steel Ball D8 mm
13	1	1-35006A	Screw	33	2	1-2967	Pretension Spring Drawing
14	2	EAA0260D59A	Transducer	34	2	EAM0005D07A	Setscrew Hex Socket
15	1	EAA0344G00A	Opto-Encoder Board With Lens	35	2	1-17403	Screw Hex Socket
16	1	EAA0328G16A	Transducer Fixing Unit	36	1	1-04634A	Nut Hex Low
17	6	1-17709	Screw	37	2	1-19903A	Screw Hex Socket
18	1	EAW0240G67A	Ribbon Cable W/ Temp Sensor	38	1	1-11833	Hexagon Nut
19	1	1-9641	Washer	39	2	1-36541A	Shim Ring
20	1	EAC0094G11A	Encoder Board Protection				



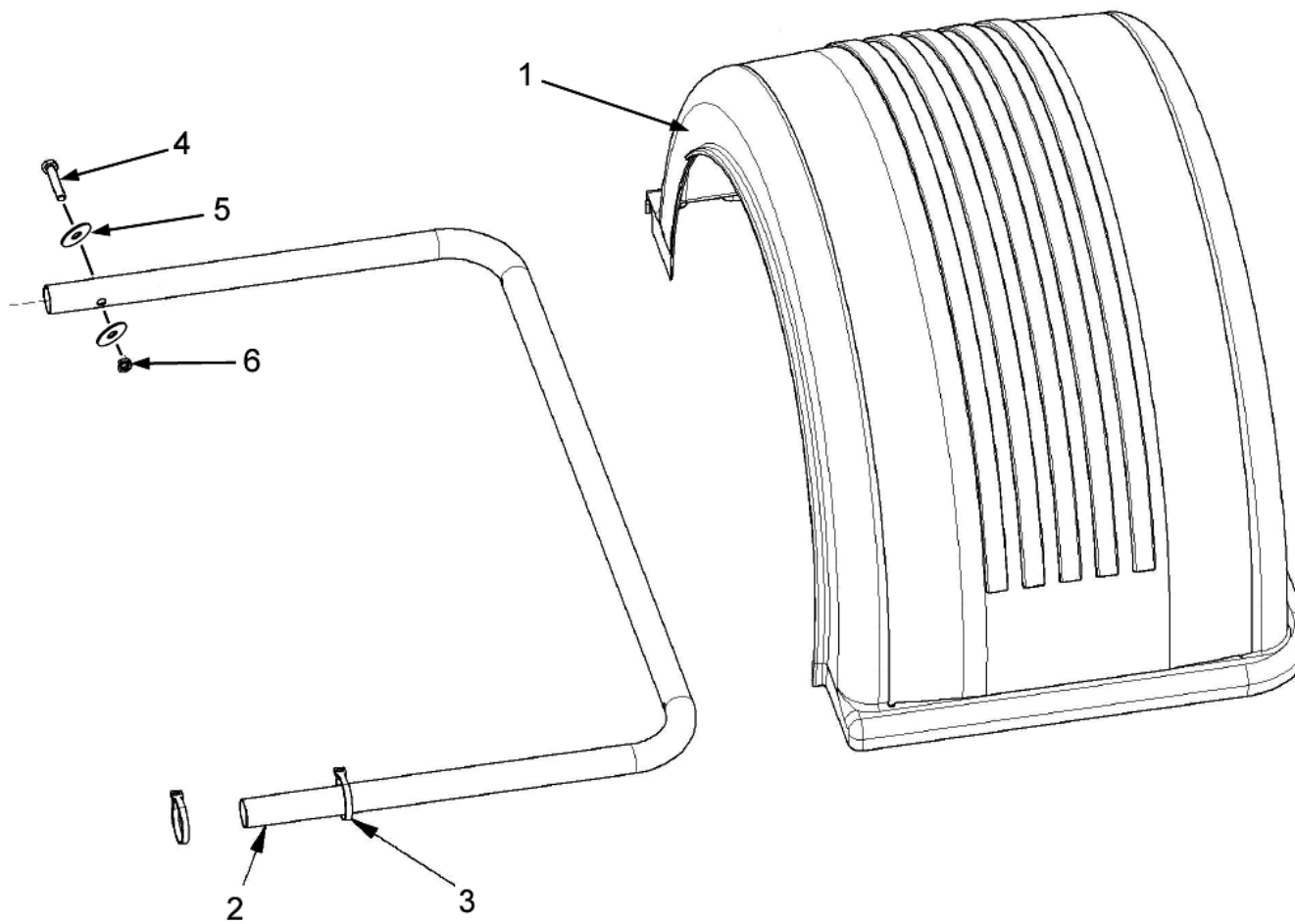
Ref	Qty	Part Number	Description	Ref	Qty	Part Number	Description
1	1	EAA0471G16A	Stand. Sape 1D-2D Assy	19	1	1-3824	Screw
2	2	1-22623A	Screw, Phil Pan H.Tapp	20	2	EAA0266D20A	Potentiometer Unit With Nut
3	1	EAM0086G85A	Distance Scale Decal (mm)	21	2	2-07657A	Clamping Device
4	4	1-9641	Washer	22	1	1-13377A	Circlip For Shaft
5	1	1-7810	Set Screw Flat Point Zinc.	23	3	1-22003A	Screw 6X16 10K
6	4	EAM0005D35A	Guiding Reel	24	2	1-17726A	Screw Tps
7	1	EAC0058D06A	Return Pulley	25	1	EAC0058D58A	Safety Cover
8	1	1-08167A	Stand. Sape Tension Spring	26	3	1-9933	Nut, Prevailing Torque M6
9	1	1-11233	Nut - M3 White Zincked	27	2	1-11726A	Screw For Plast. Phil. Pan
10	0.6	6-00604A	Rope Spectra 1000 D 0.6	28	1	EAC0058D12A	Cog Wheel 56 Teeth
11	1	EAC0058D11A	Feeler Disk	29	1	EAC0058D13A	Wheel Gear
12	1	EAC0054P01A	Arm, Axcel Caliper	31	1	EAM0068G76A	S2-D2 Bushing
13	1	1-3624	Screw Polyplast	32	1	1-13865A	Bushing
14	1	EAC0058D09A	Register, Ejection	33	1	EAM0125G68A	Machined M2 Sape Support
15	2	1-10141A1	Washer	34	1	EAM0053G16A	Standard. Rod Sape, S1
16	1	EAC0058D10A	Ring, Push	35	1	1-4577	Ring Snap
17	1	1-06868A	Spring, Compression	36	1	EAA0277D94A	Sape Arm w/ejector
18	4	1-13909	Screw				



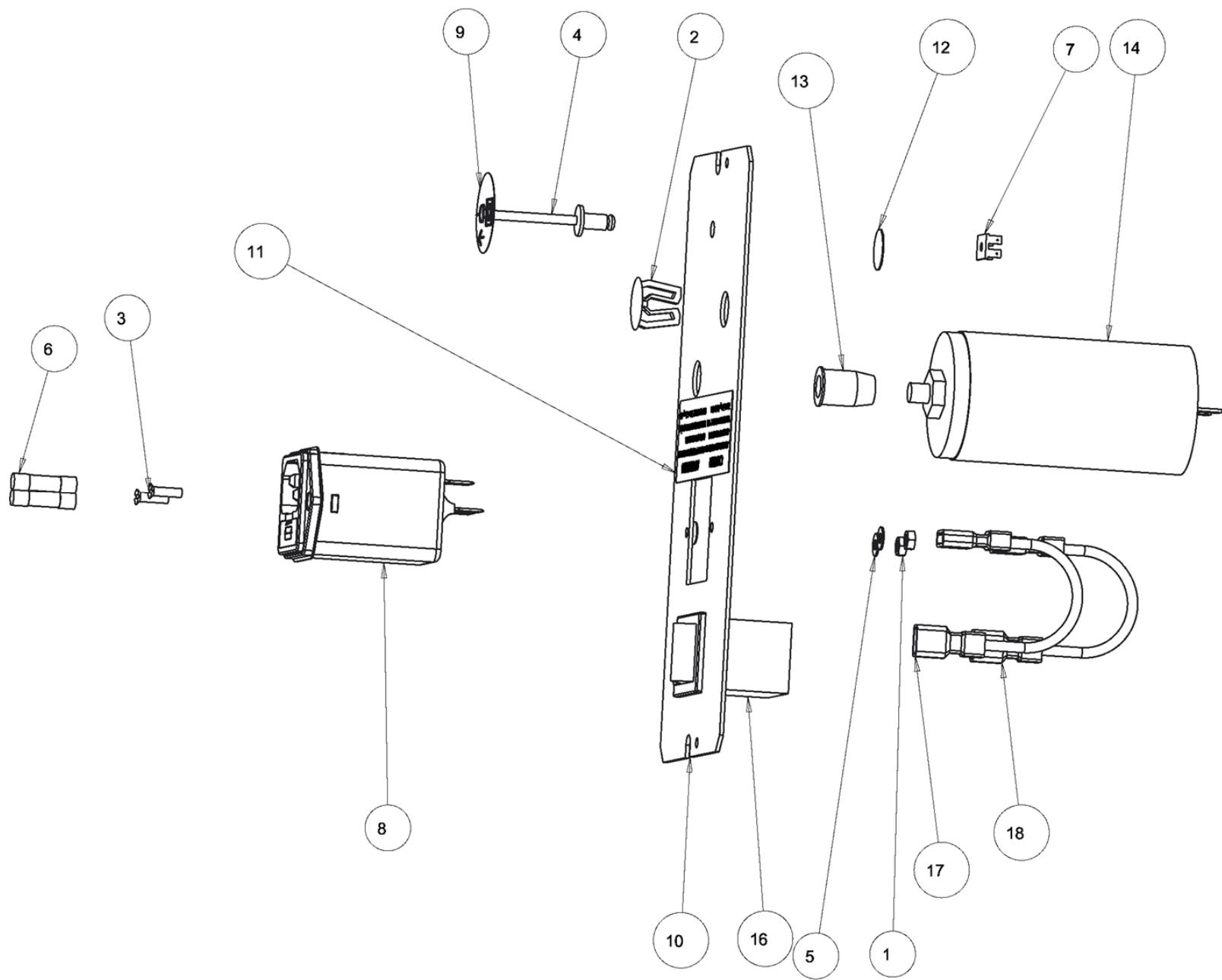
Ref	Qty	Part Number	Description	Ref	Qty	Part Number	Description
1	1	EAS2020P20A	Pedal	6	2	1-10041	Washer D 8
2	1	EAA0344G15A	Bowden Cable Assy	7	2	1-06768A	Compression Spring
3	1	EAM0053G06A	Spacer	8	1	EAS2027G18A	Pedal Holder
4	2	1-18209	Screw	9	2	1-16409	Screw
5	2	1-10033	Hex Nut				



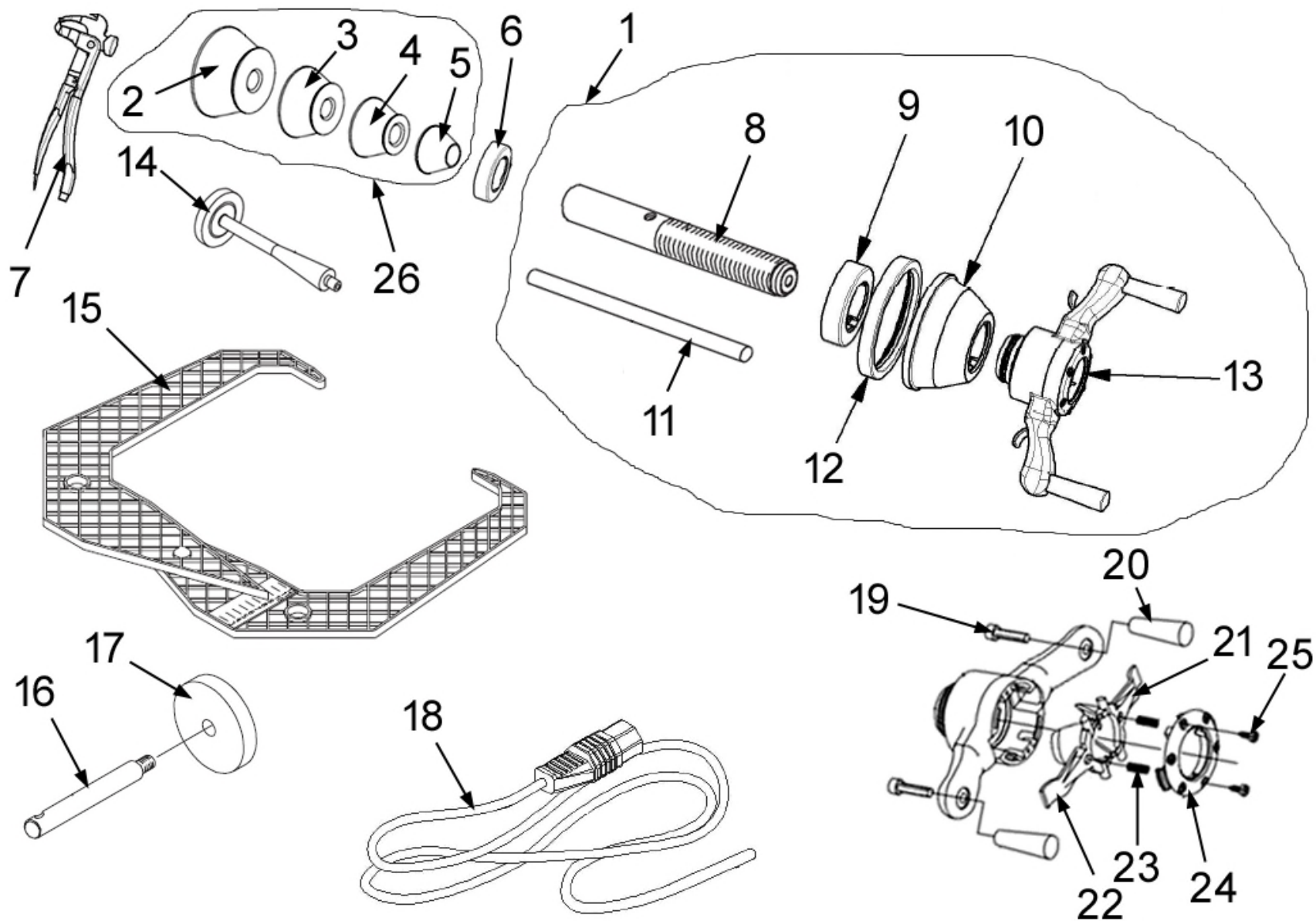
Ref	Qty	Part Number	Description	Ref	Qty	Part Number	Description
1	1	1-01530	Eyebolt	14	1	1-12452	Pins - Straight Slotted 8x45
2	2	1-11233	Nut	15	1	1-20409	Screw
3	2	1-1248	Washer	16	1	1-22441A	Shim Ring
4	4	1-12926A	Screw	17	1	EAW0233J08A	Cable-Switch Assy
5	4	1-15933A	Nut	18	2	1-32801A	Screw
6	4	1-17709	Screw	19	2	1-49010A	Screw
7	4	1-17741	Washer	20	1	EAA0423J24A	Support - Wheel Guard
8	1	1-04267A	Spring-Torsion	21	2	EAC0058D36A	Wheelguard Bushing
9	2	1-7104	Screw	22	1	EAC0058D38A	Switch Segment
10	2	1-9541	Washer	23	1	EAM0048G32A	Wheel Guard
12	1	EAC0053J16A	Microswitch Plate	24	1	EAM0050J62A	Block-Wheelguard Stop
13	2	1-10141	Washer, Plain Din 125A	25	1	EAS2081J67A	Cover - Wheel Support



Ref	Qty	Part Number	Description
1	1	EAC0087G11A	Wheel Guard
2	1	EAM0048G33A	Wheel Guard Pipe
3	6	5-05245A	Cable Tie
4	1	1-1101	Screw - Hhms 3/8 - 16 X 2.00
5	2	1-10141	Washer, Plain Din 125A
6	1	1-8133	Nut & Washer Assy 3/8 - 16



Ref	Qty	Part Number	Description
1	2	1-01537A	Nut, M3 X .5mm
2	1	1-08176A	Cap,Closing
3	2	1-11103	M3 X 10mm Flat Head Screw
4	1	1-7558	Pop Rivet-3/16"
5	2	1-9541	Washer, Flat, M3
6	2	2-21251A	Fuse 6.3A (T)
7	1	2-23201	Terminal Lug
8	1	2-68948A	Power Entry Module
9	1	8-23662A	Label
10	1	EAS2187G13A	Power Inlet Plate
11	1	EAL0349G44A	Label - Fuses Caution
12	1	8-23762A	Label - Earth Symbol
13	1	1-18359A	Self Clinching Nut (M8)
14	1	2-03229A	Motor Capacitor 30uf 400V
16	1	2-13258A	Main Switch
17	1	EAW0243P22A	Brown Wire
18	1	EAW0243P23A	Blue Wire



Ref	Qty	Part Number	Description
1	1	EAA0263G79A	Quick Nut Kit
2	1	EAM0003J69A	Truck Cone 3.42" - 5.25"
3	1	EAM0005D25A	Cone 3.78" - 4.57"
4	1	EAM0005D24A	Cone 2.83" - 3.90"
5	1	EAM0005D23A	Cone 1.65" - 3.03"
6	1	EAC0058D68A	Spacer ring
7	1	00058839000	Weight Pliers
8	1	EAM0021D90A	Stub Shaft 40 mm
9	1	EAC0058D08A	Pressure ring
10	1	EAC0058D07A	Pressure cup
11	1	EAM0005D34A	Rod for Fastening shaft
12	1	EAC0058D15A	Pressure cup cushion
13	1	EAA0263G66A	Quick Nut
14	1	EAM0005D40A	Calibration Weight
15	1	EAA0247G21A	Rim width Calipers
16	4	EAM0006G01A	Hook storage
17	4	EAC0060G02A	Rubber pad
18	1	EAW0290J26A	Power Cord 5 meters
19	2	1-54709A	Screw
20	2	ST0027008	Handle
21	1	6409019	Clamping jaw Pin side
22	1	6409020	Clamping jaw V side
23	2	1611128	Spring
24	1	EAC0060G23A	Cover
25	2	1-18623A1	Screw
26	1	EAK0309J28A	4 cone kit



Notice: The information contained in this document is subject to change without notice. Hofmann makes no warranty with regard to this material. Hofmann shall not be liable for errors contained herein or for incidental consequential damages in connection with furnishings, performance, or use of this material.

309 Exchange Ave
Conway, AR 72032
501-450-1500

Geodyna 7100 Spare Parts List

TEEWB761A3_TS

DSS

02/2024